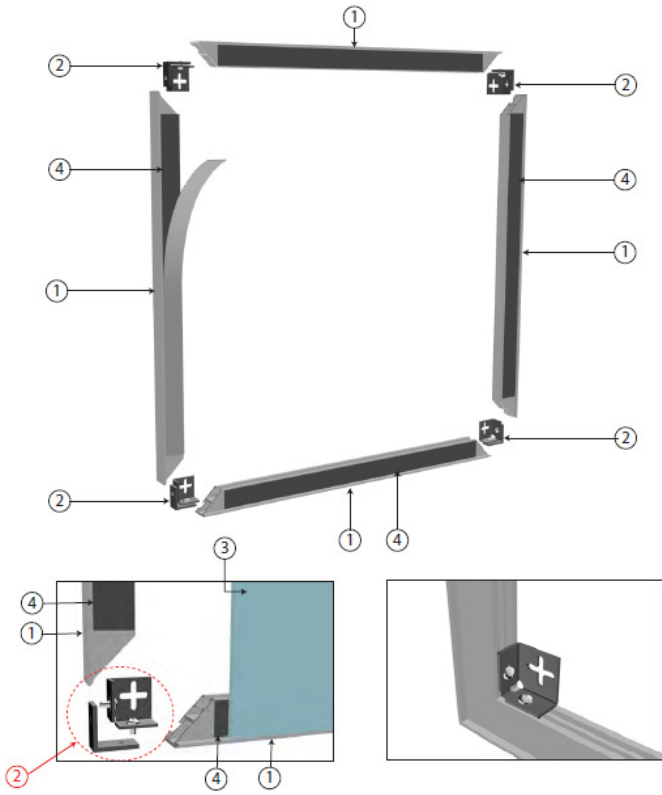


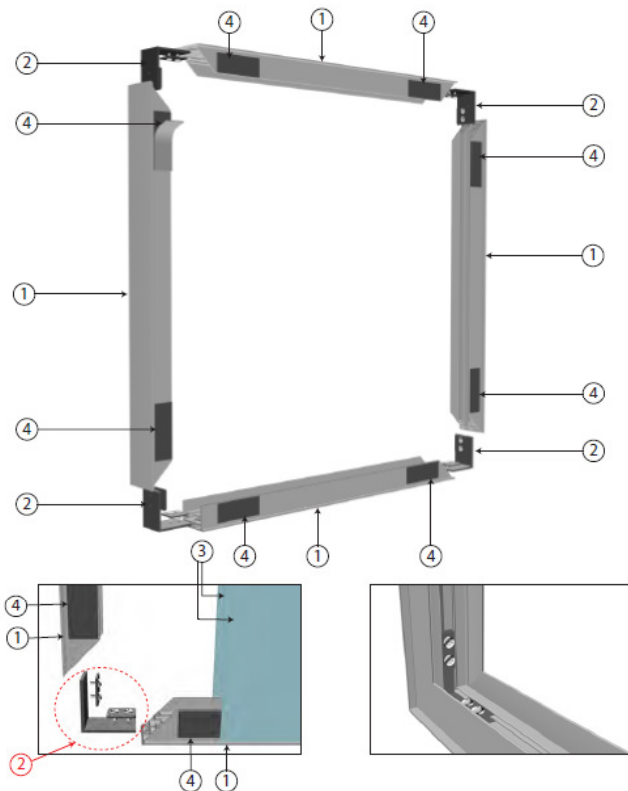
## I-SIGN DISPLAY Single Sided

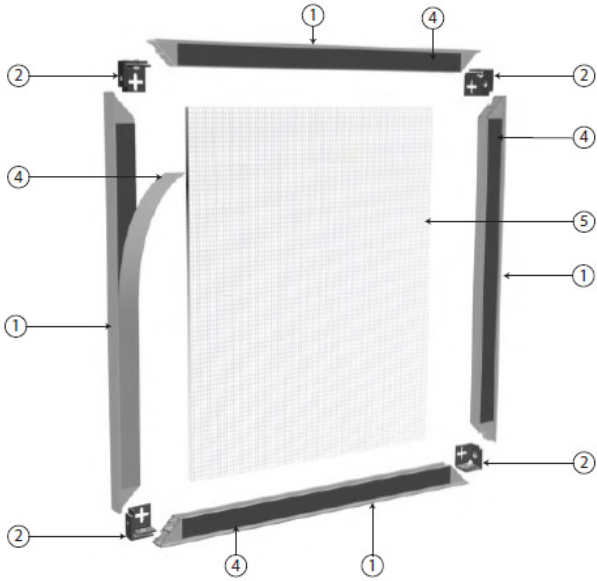
ITEM NO.	CODE	DESCRIPTION
1	ID-SS	Single sided profile
2	ID-SS CORNER	Inside corner fixing single sided
3		3 mm Panel
4		3M double sided tape



## I-SIGN DISPLAY Double Sided

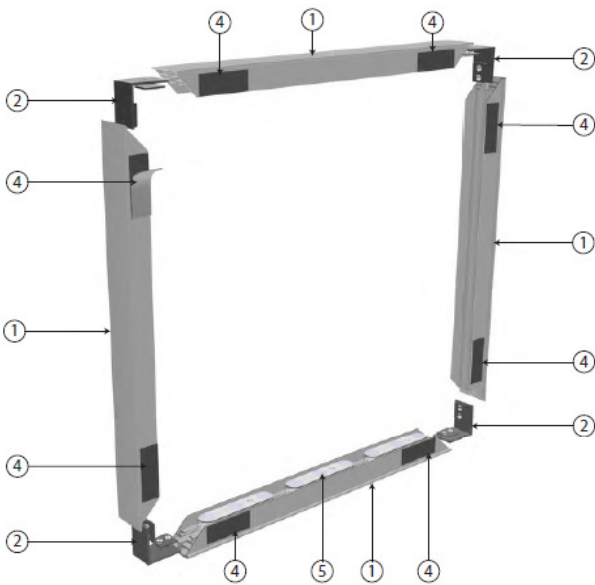
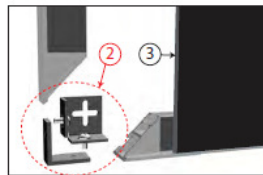
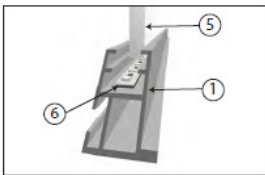
ITEM NO.	CODE	DESCRIPTION
1	ID-DS	Double sided profile
2	ID-DS CORNER	Inside corner fixing double sided
3		3 mm Panel
4		3M Dual Lock Low profile





## I-SIGN DISPLAY Single Sided illuminated

ITEM NO.	CODE	DESCRIPTION
1	ID-SS	single sided profile
2	ID-SS CORNER	Inside corner fixing single sided
3		3 mm Panel
4		3M double sided tape
5		Light guided panel
6		Led strip



## I-SIGN DISPLAY Double Sided illuminated

ITEM NO.	CODE	DESCRIPTION
1	ID-DS	Double sided profile
2	ID-DS CORNER	Inside corner fixing double sided
3		3 mm Panel
4		3M Dual Lock Low profile
5		PosterBox Slim
6		Screw

